

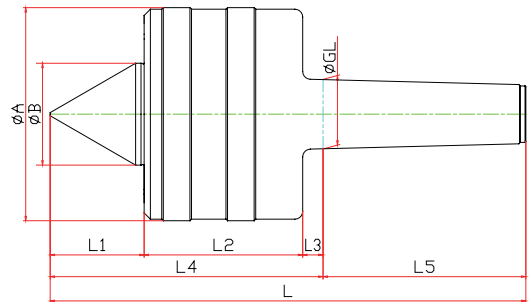
LC-NKD

NK · NKD-TYPE

- ▶ Live Center for heavy duty
- ▶ Semi High Speed
- ▶ Long life
- ▶ Use Taper Roller Bearing
- ▶ Hardness of SHAFT : HRC58~62



NKD-TYPE



unit:mm/kg

Model	Morse Taper	Dimension									Weight Max. (lbs)	R.P.M Max.	Run out (inch)
		GL	A	B	L1	L2	L3	L4	L5	L			
LC-5NKD	NO.5	44.399	136	65	60	101	13	174	129.5	303.5	28660.1	3400	0.00019685
LC-6NKD	NO.6	63.348	148	70	80	110.5	15	205.5	181	387.5	35273.97	1800	0.00019685
LC-7NKD	NO.7	83.058	200	95	90	141	20	251	250	501	48501.71	1200	0.00019685

※SPECIAL sizes or dimensions are available with quick turnaround